

VISTA-128FBP/ V128FBP-24

Commercial Fire and Partitioned Burglary Alarm Control Panel



Designed to integrate seamlessly with CCTV, access control, and ADEMCO's full range of fire and burglary components, the NEW VISTA-128FBP provides the ultimate protection of life and property. The UL listed Commercial Fire and Burglary Control Platform controls up to eight partitions, and supports up to 128 zones/points using hardwired, wireless and V-Plex addressable technologies. A diverse line of ADEMCO initiating devices, notification circuits, digital dialers,

keypads, RF receivers and relays are supported by extremely powerful control platform. The VISTA-128FBP has been designed to mount quickly and easily in an attack resistant cabinet, and is available in 12V and 24V models. A revolutionary new feature called Panel Linking allows multiple partitions, panels – even buildings to be armed, disarmed and have status checked from one location.

FEATURES

- Eight hardwired zones standard, expandable to 120 V-Plex addressable points/zones or 128 wireless points/zones
- Can control eight separate areas independently (8 partitions)
- Supports Panel-Linking allows up to 8 systems or buildings to be controlled from one central location (using VA8200)
- Supports commercial UL wireless fire and burg
- Stores up to 512 events and can accommodate 150 user codes
- Supports addressable V-Plex access control points using VistaKey (1 to 8 doors)
- Supports up to 16 doors of access control using Vista Gateway Module (VGM)*
- Supports CCTV applications with the new VistaView-100 CCTV Switcher Module
- Identifies the point or zone of a fire or alarm, using the new FSA-8/FSA-24 Fire System Annunciator
- Programmable to meet SIA false alarm prevention specifications. To meet UL approval for ANSI/SIA CP-01-2000 order part number VISTA-128SIA
- Two on-board notification (bell) circuits delivering 2.3 amp @ 12V or 3.4 amp @ 24V
- Automatic smoke detector sensitivity maintenance testing
- 4-wire smoke reset using on-board J2 output trigger
- Supports Dynamic Signaling for LRR
- Supports Remote Control-via the internet**
- Supports Internet Alarm Reporting**
- Supports the new Graphical User Interface Consoles
- Supports up to 250 access card holders using VistaKey
- Supports AlphaNumeric pager up to 8 different numbers using the VA8201

* Connects to Northern Computers Passpoint Access Control Systems. Maximum 32 doors.

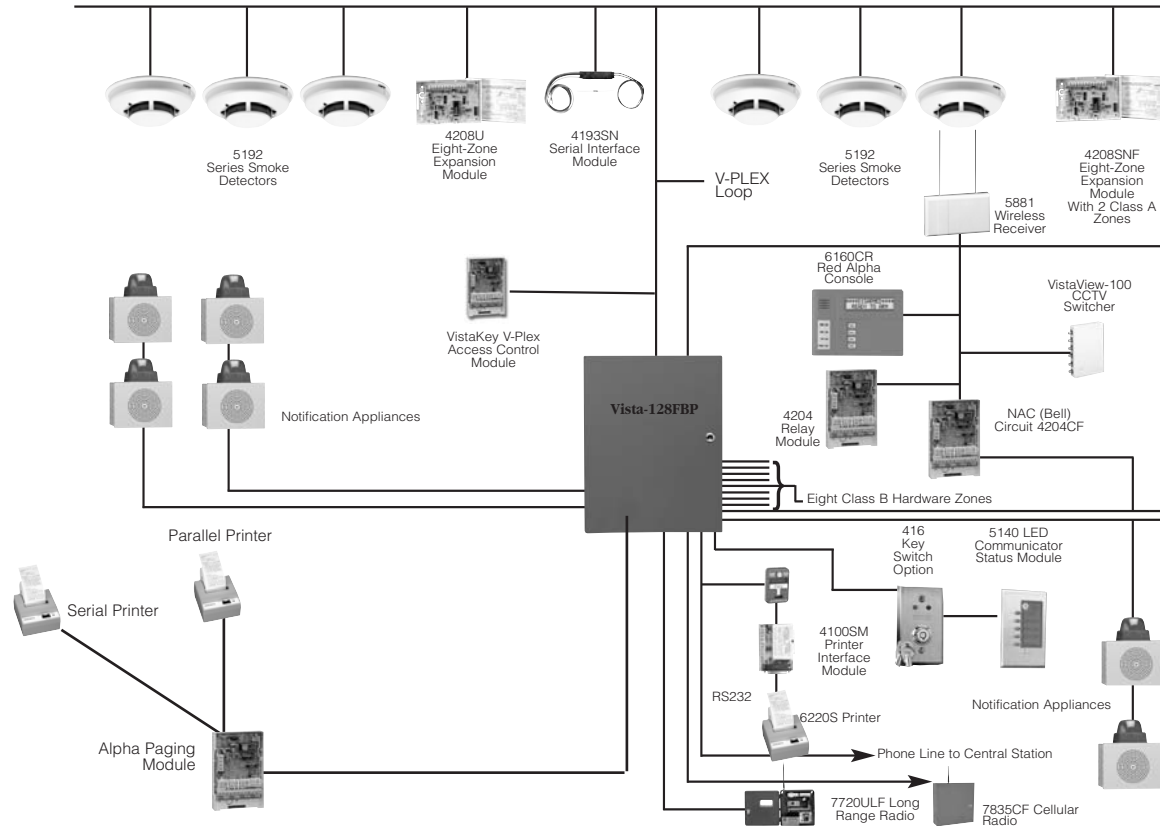
** When used with AlarmNet-i

VISTA-128FBP/V128FBP-24

Commercial Fire and Partitioned Burglary Alarm Control Panel

Additional Features

- Notification Appliance Circuits (two):
 - Programmable
 - Temporal code compliant
 - Individually silenceable
- Programmable on-board auxiliary relay
- SIA false alarm reduction features:
 - Exit error logic
 - Exit delay reset
 - Cross zoning
 - Call waiting defeat
 - Recent close report
- Supports commercial hardwired, addressable V-Plex polling loop and wireless zones
- Hardwired zones
 - Provides eight style B hardwired zones
 - EOLR supervised for Fire and UL burglary installations
 - Supports N.O or N.C. sensors
 - Individually assignable to any eight partition
 - Up to 32 two-wire smoke detectors each on zone one and two (64 total)
 - Up to 50 two-wire glass break detectors on zone eight
- Patented addressable V-Plex polling loop technology
 - Supports 120 two-wire zones points
 - Global polling technology for faster processing
 - Increased current draw capacity (128mA)
 - Supervised by panel
 - Individually assignable to partitions, notification circuit (bell) output or aux relay
 - 4,000 ft capability without the use of shielded cable
 - Extender/Isolation bus module
 - Two-wire smoke detector zone/group expansion module adds two or four zones
 - Eight zone – Class A and B extender module
 - Eight zone – Class B extender module
 - One zone supervised contact monitor module
- UL Listed wireless expansion
 - Supports up to 128 wireless zones/points using 5881ENHC receiver
 - Supervised by control for check-in signals
 - Tamper protection for transmitters
 - Individually assignable up to eight partitions
- Supports UL864/NFPA approved wireless smoke detectors
- Access Control integration
 - Full integration with PassPoint Access Control System
 - Complete Gateway interface of Vista and access functions
- Up to 8 doors using VistaKey V-Plex Access Control
- Event reporting
- Local printer of access or VISTA related event
- Scheduled uploading of events to central station
- Stored events for one call retrieval
- Communication
 - Phone mapping by zone response type
 - Supports VIP interactive phone voice module
 - Panel operation during download
 - Uploading equipment list to central station
 - Communication to PassPoint via Vista Gateway Module
- CCTV integration
 - Supports VistaView-100 ECP based CCTV switchers



Applications

The VISTA-128FBP control is well suited for a variety of applications as an integrated fire and burglary control. A diverse line of ADEMCO initiating devices supports this extremely powerful control. Some of the applications supported are: medical and professional buildings, churches or synagogues, office buildings, schools, strip malls, larger residences and factory or warehouse environments.

Installation

The VISTA-128FBP alarm system has been designed to mount both quickly and easily. It meets all applicable requirements for UL commercial fire and burglary installations.

Specifications Electrical

- Primary power: 18VAC @ 72VA ADEMCO No. 1451
- Control panel quiescent current draw: 350mA
- Backup battery:
 - 12VDC, 12AH min to 34.4AH max
 - Lead acid battery (gel type)

- Alarm power: 12VDC, 1.7A max for each notification (bell) circuit output Total 2.3amps @ 12V
- Aux. standby pwr: 12VDC, 1A max
- Total power: 2.3A at 12VDC, 3.4A at 24VDC from all sources
- Standby time: 24 hours with 1A standby load using 34.4AH battery
- Fusing: Battery input, aux. and notification (bell) circuit outputs are protected using PTC circuit protectors. All outputs are power limited.
- Optional 24-volt power supply, PS 24 Supplies two 24 VFW, 1.7A full wave rectified, unfiltered outputs Main Dialer:
- Line seize: Double Pole
- Ringer equiv.: 0.7B
- Formats: ADEMCO Low Speed, ADEMCO 4+2 Express, ADEMCO High Speed, ADEMCO Contact ID, SESCOA and RADIONICS
- Dual phone line capability (using 5140DLM module)

Cabinet dimensions

- 18"H X 14.5"W X 4.3"D

Environmental

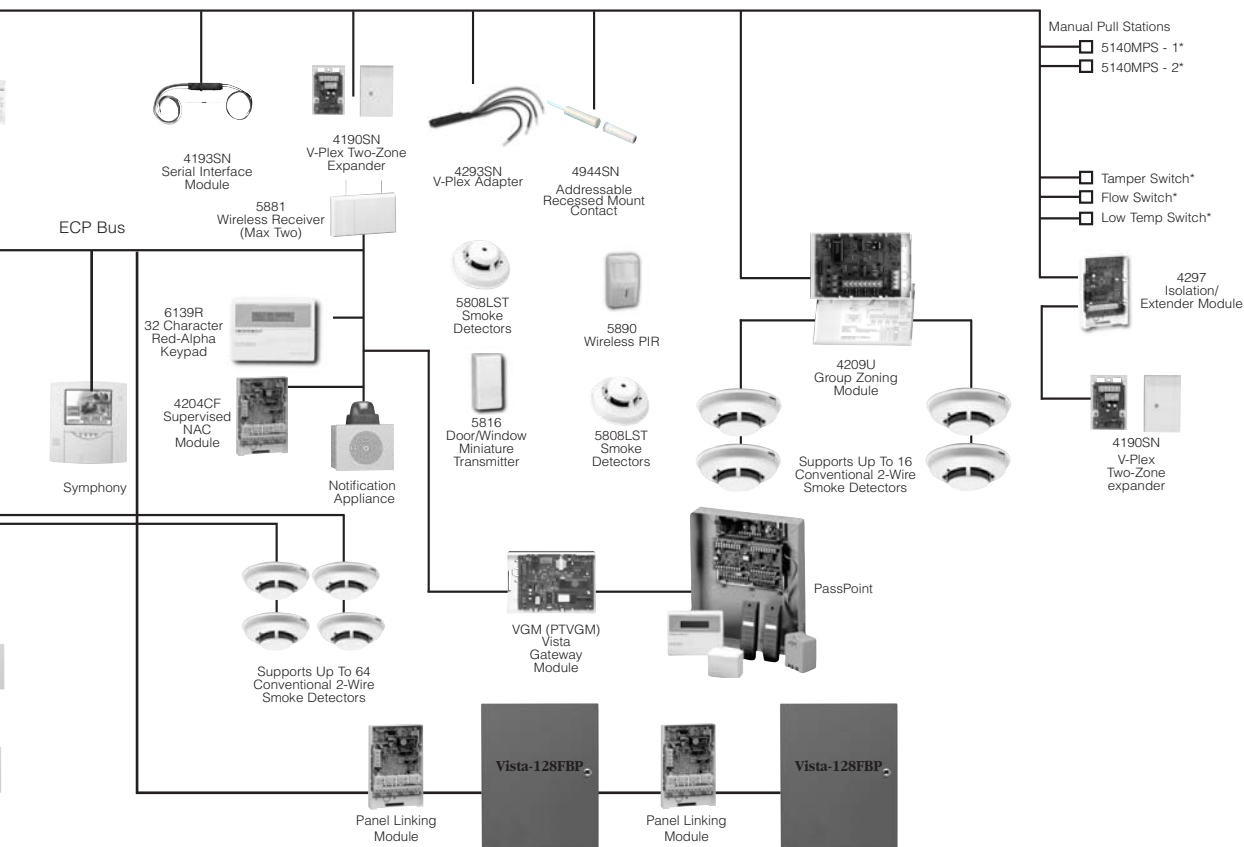
- Storage temp: -10°C to 70°C
- Operating temp: 0°C to 50°C
- Humidity: 85% RH
- EMI: Meets or exceeds the following requirements:
 - FCC Part 15, Class B Device
 - FCC Part 68
 - IEC EMC Directive

Agency Listings Burglary

- UL609 Grade A Local Mercantile Premises and Mercantile Safe and Vault
- UL611/1610 Grades A, AA, Central Station
- UL365 Grades A, AA Police Connect

Fire

- UL864/NFPA72 Local, Central Station and Remote Station
- Factory Mutual
- California State Fire Marshal
- MEA
- UL985



VISTA-128FBP/V128FBP-24

Commercial Fire and Partitioned Burglary Alarm Control Panel

Additional Features

- Notification Appliance Circuits (two):
 - Programmable
 - Temporal code compliant
 - Individually silenceable
- Programmable on-board auxiliary relay
- SIA false alarm reduction features:
 - Exit error logic
 - Exit delay reset
 - Cross zoning
 - Call waiting defeat
 - Recent close report
- Supports commercial hardwired, addressable V-Plex polling loop and wireless zones
- Hardwired zones
 - Provides eight style B hardwired zones
 - EOLR supervised for Fire and UL burglary installations
 - Supports N.O or N.C. sensors
 - Individually assignable to any eight partition
 - Up to 32 two-wire smoke detectors each on zone one and two (64 total)
 - Up to 50 two-wire glass break detectors on zone eight
- Patented addressable V-Plex polling loop technology
 - Supports 120 two-wire zones points
 - Global polling technology for faster processing
 - Increased current draw capacity (128mA)
 - Supervised by panel
 - Individually assignable to partitions, notification circuit (bell) output or aux relay
 - 4,000 ft capability without the use of shielded cable
 - Extender/Isolation bus module
 - Two-wire smoke detector zone/group expansion module adds two or four zones
 - Eight zone – Class A and B extender module
 - Eight zone – Class B extender module
 - One zone supervised contact monitor module

- Supports UL864/NFPA approved wireless smoke detectors
- Access Control integration
 - Full integration with PassPoint Access Control System
 - Complete Gateway interface of Vista and access functions
- Up to 8 doors using VistaKey V-Plex Access Control
- Event reporting
- Local printer of access or VISTA related event
- Scheduled uploading of events to central station
- Stored events for one call retrieval
- Communication
 - Phone mapping by zone response type
 - Supports VIP interactive phone voice module
 - Panel operation during download
 - Uploading equipment list to central station
 - Communication to PassPoint via Vista Gateway Module
- CCTV integration
 - Supports VistaView-100 ECP based CCTV switchers

Applications

The VISTA-128FBP control is well suited for a variety of applications as an integrated fire and burglary control. A diverse line of ADEMCO initiating devices supports this extremely powerful control. Some of the applications supported are: medical and professional buildings, churches or synagogues, office buildings, schools, strip malls, larger residences and factory or warehouse environments.

Installation

The VISTA-128FBP alarm system has been designed to mount both quickly and easily. It meets all applicable requirements for UL commercial fire and burglary installations.

Specifications Electrical

- Primary power: 18VAC @ 72VA ADEMCO No. 1451
- Control panel quiescent current draw: 350mA
- Backup battery:
 - 12VDC, 12AH min to 34.4AH max
 - Lead acid battery (gel type)
- Alarm power: 12VDC, 1.7A max for each notification (bell) circuit output Total 2.3amps @ 12V
- Aux. standby pwr: 12VDC, 1A max
- Total power: 2.3A at 12VDC, 3.4A at 24VDC from all sources
- Standby time: 24 hours with 1A standby load using 34.4AH battery
- Fusing: Battery input, aux. and notification (bell) circuit outputs are protected using PTC circuit protectors. All outputs are power limited.
- Optional 24-volt power supply, PS 24 Supplies two 24 VFW, 1.7A full wave rectified, unfiltered outputs Main Dialer:
- Line seize: Double Pole
- Ringer equiv.: 0.7B
- Formats: ADEMCO Low Speed, ADEMCO 4+2 Express, ADEMCO High Speed, ADEMCO Contact ID, SESCOA and Radionics
- Dual phone line capability (using 5140DLM module)

Cabinet dimensions

- 18"H X 14.5"W X 4.3"D

Environmental

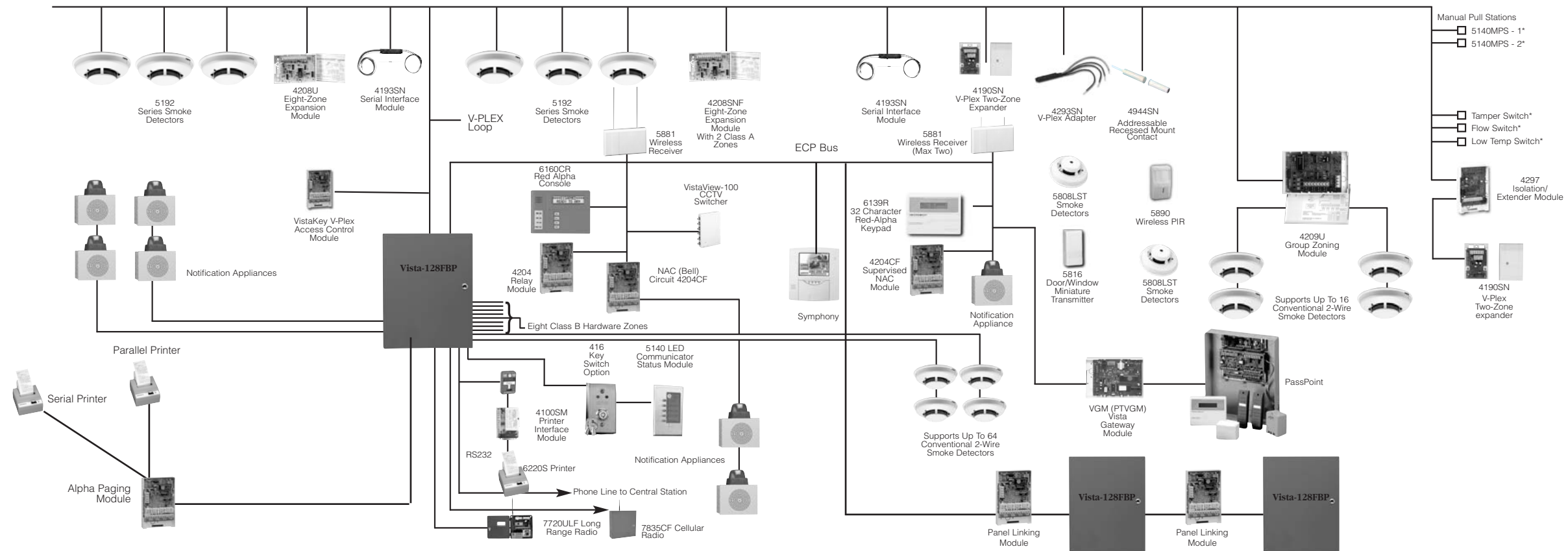
- Storage temp: -10°C to 70°C
- Operating temp: 0°C to 50°C
- Humidity: 85% RH
- EMI: Meets or exceeds the following requirements:
 - FCC Part 15, Class B Device
 - FCC Part 68
 - IEC EMC Directive

Agency Listings Burglary

- UL609 Grade A Local Mercantile Premises and Mercantile Safe and Vault
- UL611/1610 Grades A, AA, Central Station
- UL365 Grades A, AA Police Connect

Fire

- UL864/NFPA72 Local, Central Station and Remote Station
- Factory Mutual
- California State Fire Marshal
- MEA
- UL985



VISTA-128FBP/V128FBP-24

Commercial Fire and Partitioned Burglary Alarm Control Panel

SPECIFICATIONS

Auxiliary Devices

- 6160CR – Red Alpha Keypad
- 6139R – Red Alpha Keypad/Annunciator
- FSA-8 & FSA-24 annunciator modules
- 4204 – Relay Module, four form C contacts
- 4204CF – Two supervised output circuits
- 5881 Series – RF receiver supporting 5800 wireless detectors
- 6220S – System printer used with 4100SM serial module

Two-wire smoke detectors conventional

- 2100 Series Photoelectric
- 2400 Series Photoelectric
- 1100 Series Ionization

Four-wire smoke detectors conventional

- 2112/24 Series Photoelectric
- 1412 Series Ionization

Horn/Strobes

- System Sensor Notification Appliances

Manual Pull Stations

- 5140MPS-1
- 5140MPS-2

V-Plex (addressable) Devices

- 4208U Loop Expansion Module – eight zones
- 4101SN Single Relay/Zone Module
- 4208SNF Class A/B Expander Module
- 4209U Group Zoning Module – two/four zones

- 4190SN Remote Point Module – two zones
- 4193SN Two Zone Serial Interface Module
- 4293SN One Zone Serial Interface Module
- 4297 Isolation/Extender Module

V-Plex (addressable) Smoke

Detectors:

- 5192SD • 4192SD • 4192CP
- 5192SDT • 4192SDT • 4192CPM
- 4192SDTM

V-Plex Passive Infrared Detectors

- 998MX
- 4275EX-SN
- 4278EX-SN

V-Plex (addressable) Contacts

- 4939SN-WH
- 4944SN-WH
- 4959SN

V-Plex Glassbreak Detectors:

- 9500SN

VISTA interactive phone module

- 4286 Voice Module

Optional 24V Power Supply

- PS24 – 24V power supply – 3.4A Long Range Radio:
- Long Range Radio 7720ULF-XX, 7835C, 7835CF, 7845C

Upgraded software

- Upgraded Compass Downloader Windows compatible

Wireless Devices

- 5804BDV – Bi-directional with voice
- 5804BD – Bi-directional Key
- 5804Watch – Wireless Key &

sports watch combined

- 5816 – Door/Window Transmitter
- 5804 – Wireless key
- 5827BD – Bi-directional Keypad
- 5890 – PIR
- 5849 – Glassbreak Detector
- 5819 – Shock Sensor

Commercial Wireless Devices

- 5808LST – Wireless Smoke Detector
- 5809 – Wireless Heat Detector
- 5817CB – Wireless Commercial Transmitter
- 5869 – Hold-Up Transmitter
- 5881ENHC – Commercial Fire/Burg Receiver

Access Control

- VistaKey V-Plex (addressable) Access Control
- VistaKey-SK Starter Kit
- VistaKey-EX Expansion Kit
- VGM Vista Gateway Module to PassPoint Access Control (Northern Computers)

CCTV

- VistaView-100 CCTV Switcher or Module

Internet Access

- Graphical user interface with internet capability
- Internet Remote Control-Networking Module
- Internet Alarm Communicator (7845i)

Paging

- VA8201 AlphaNumeric Pager

ORDERING

VISTA-128FBP	Commercial Fire and Partitioned Burglary Alarm Control Panel 12V Model
V128FBP-24	Commercial Fire and Partitioned Burglary Alarm Control Panel 24V Model

Honeywell Security & Custom Electronics

165 Eileen Way, Syosset, NY 11791
www.honeywell.com/security